



AH204



Brushed Stainless
50 Ltr Wastebin with Lid

Product Features:

- Free Standing or Wall Mounted Wastebin
- Brushed Stainless Steel
- 304L Grade Stainless Steel / 240g
- Bag Strap For Liner

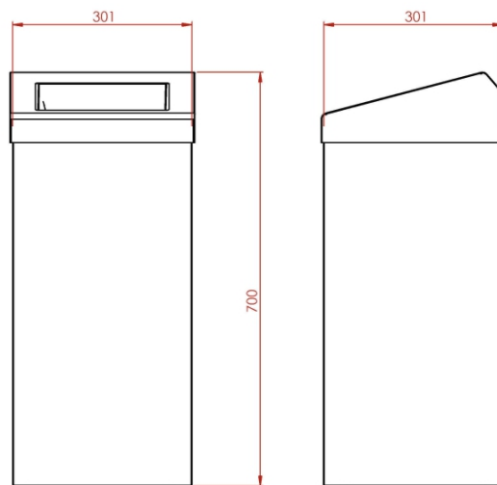
Manufactured in the UK

This stylish and high quality waste bin will take all general and paper waste in all high traffic and commercial areas.

The chute style lid has been designed to make disposing waste effortless, increasing a better and cleaner environment. The unit can either be free standing or wall mountable for extra security.

Made in a quality brushed stainless steel finish.

Product Dimensions:



Height: 700mm Width: 301mm Depth: 301mm Weight: 7.5Kg Capacity: 50 Litre